



GLASS PIVOT HINGE :

GH301-360

SPECIFICATIONS

Material: Solid brass

Glass Sizes: 3/8"(10mm) thick tempered safety glass.

Cutout Required.

Closing Type: Self-centering when within 15° of closed position.

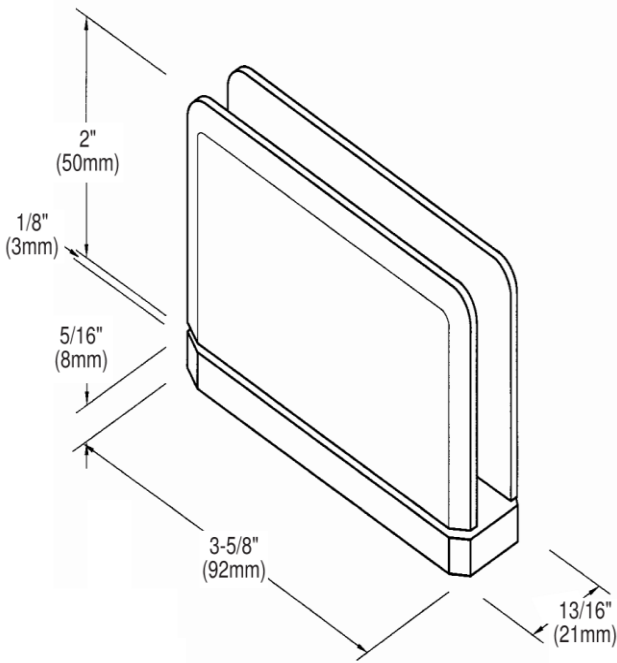
Includes: Gaskets, Screws and Template.

***RECOMMENDATIONS:**

For public safety, we recommend the use of only tempered safety glass. Do not use power tools when installing these hinges.

Maximum Door Capacities	GLASS SIZES	
	3/8" (10mm)	
	Weight	Width
using 2 hinges	100 lbs. (46kg)	31" (787mm)

TOP OR BOTTOM BEVELED PIVOT



IMPORTANT:

Project measurements from the edge of the glass.

