



**GLASS HINGE:**  
**GH101-BT**  
**GH101-BT-H**  
**GH301-BT-H**

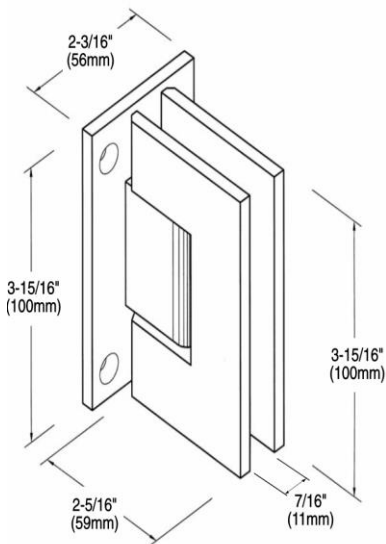
**SPECIFICATIONS**

**Material:** Solid brass  
**Glass sizes:** 3/8" (10mm) to 1/2" (12mm) thick tempered safety glass  
**Cutout Required**  
**Closing Type:** Self-centering when within 15° of closed position.  
**Includes:** Gaskets, Screws and Template.

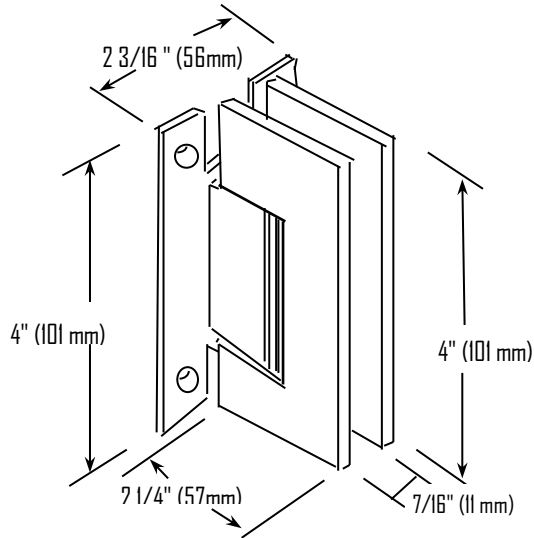
**\*RECOMMENDATIONS:**  
 For public safety, we recommend the use of only tempered safety glass. Do not use power tools when installing these hinges.

Door Capacities	GLASS SIZES			
	3/8" (10mm)		1/2" (12mm)	
	Weight	Width	Weight	Width
using 2 hinges	110 lbs. (50kg)	36" (711mm)	110 lbs. (36kg)	36" (711mm)
using 3 hinges	140 lbs(64 kg)	36" (813mm)	140 lbs(54 kg)	36" (813mm)

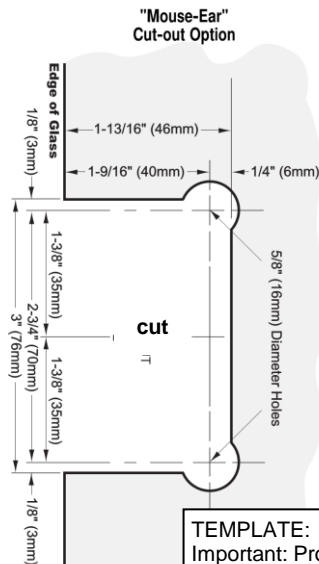
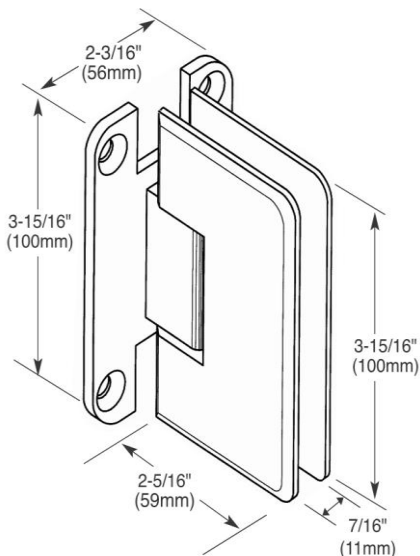
**SQUARE FULL PLATE- GH101-BT**



**SQUARE H PLATE- GH101- BT-H**



**BEVELED H PLATE- GH301-BT-H**



**TEMPLATE:**  
 Important: Project measurement from the edge of the glass.