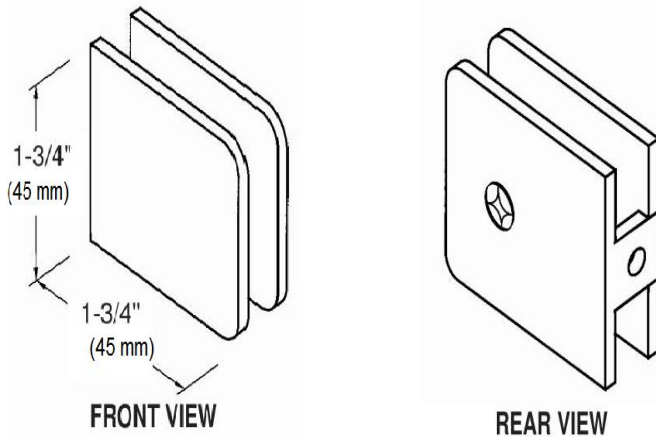
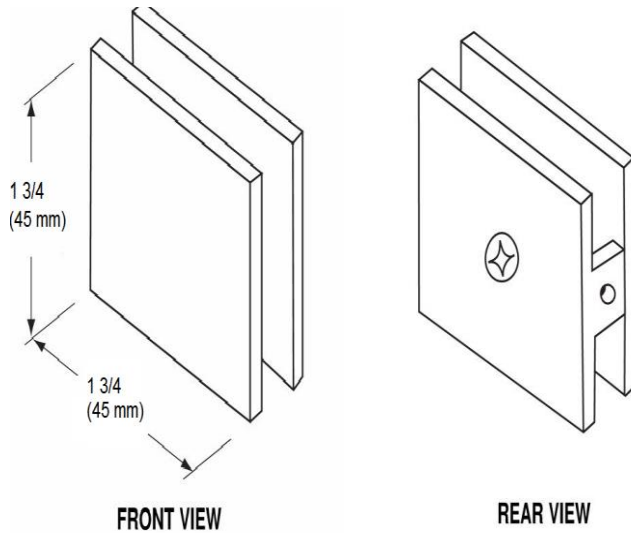


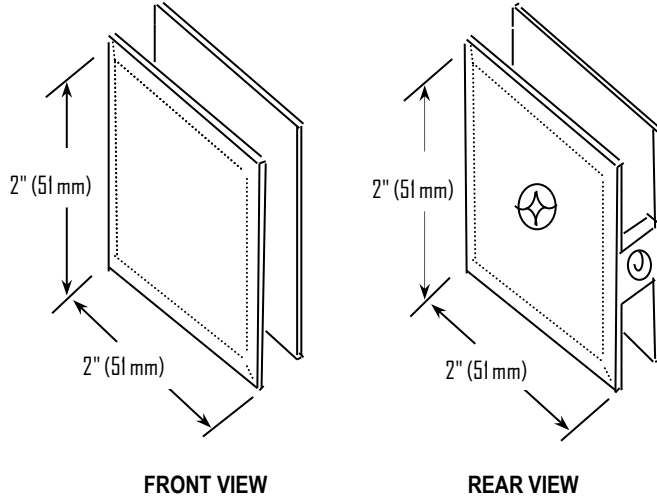
ROUNDED CLIPS FC150



SQUARE CLIPS FC140



SQUARE BEVELLED CLIPS FC170



MURANO
HARDWARE

GLASS CLIPS:
FC140

SPECIFICATIONS

Material: Solid brass

Glass Thickness Range: 3/8" (8mm)
to 1/2" (12mm)

Hole Size required: 5/8" (16mm) or
3/4" (19mm)

Includes: Mounting screws and
gaskets

TEMPLATE:

Important: Project measurement
from the edge of the glass

